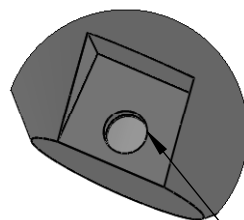
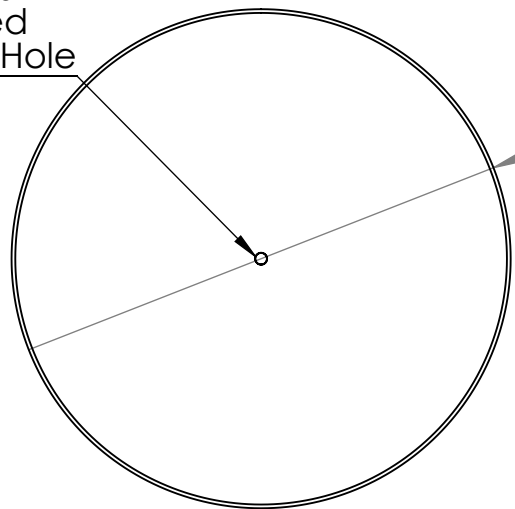


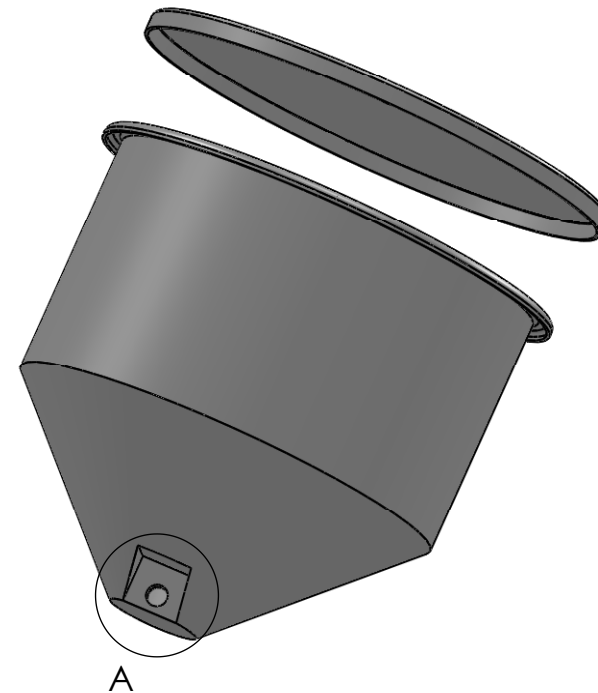
25mm BSPT
Threaded
Female Hole



DETAIL A
SCALE 1 : 10

50mm BSPT Female
Threaded Outlet

ITEM NO.	Product Code	Weight	Over Height (Less Lid)	Wall Height
1	SP800CBO	40 kg	1154	684
2	SP500CBO	25 kg	869	399
3	SP1200CBO	55 kg	1509	1039



A

Thursday, 8 December 2011 11:23:44 AM

	NAME	SIGNATURE	DRAWN DATE	22/11/2011
DRAWN			REVISION	A
CHK'D			REVISION DATE	
APPV'D			Material	LLDPE
MFG			WEIGHT	-
Q.A			RM Code	-

Rota Moulding Ph 92501125	
SP500CBO, SP800CBO & SP1200CBO Cone Bottom Tank	
TITLE:	
DWG NO.	
UNLESS OTHERWISE SPECIFIED: DIMENSIONS ARE IN MILLIMETERS	

A4

There is a possibility of a + or -1% dimensional variation in rotational moulded Plastic products

DEBUR AND BREAK SHARP EDGES

SCALE 1:20 DO NOT SCALE DRAWING

SHEET 1 OF 1