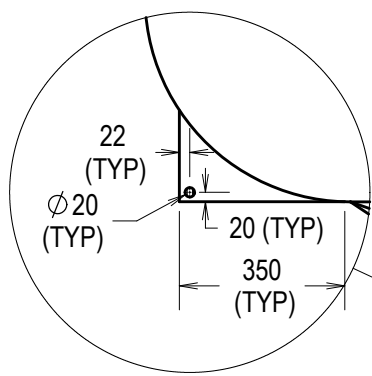
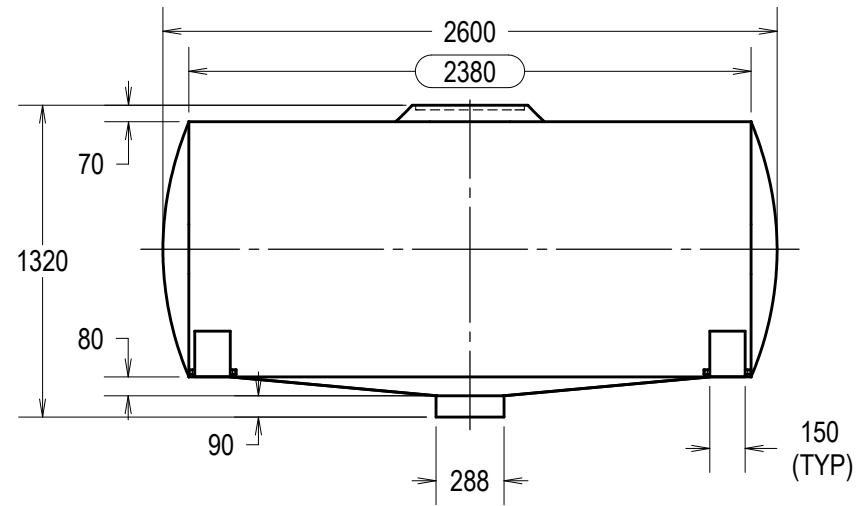
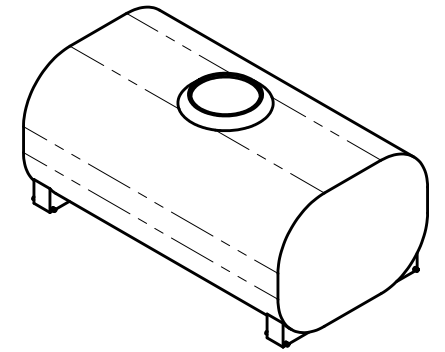
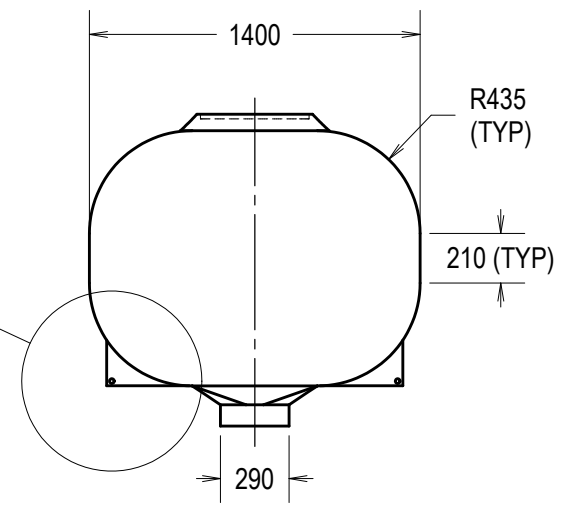


DETAIL B  
SCALE 1 : 10



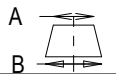
DETAIL A  
SCALE 1 : 16



NOTE: ALL DIMENSIONS IN MILLIMETERS

**TOLERANCES UNLESS OTHERWISE SPECIFIED:**

ANGLES  $\pm 1^\circ$  FRACTIONS  $\pm 1/16"$   
 DECIMALS FRACTIONAL HOLES:  
 .XX  $\pm .01"$  A:  $+0.020", -0.010"$   
 .XXX  $\pm .005"$  B:  $+0.150", -0.010"$



R00	24-Jul-08	COMPLETED DRAWING	NCB	MML
REV	DATE	REVISION	CB	MD BY

**BOURGAULT INDUSTRIES LTD.**

ST. BRIEUX, SASKATCHEWAN CANADA S0K 3V0

**ROTA MOULDING 3000 LITER TANK**

DATE	22-JUL-08	DRN BY	MML	SCALE	1:32	DWG SIZE	A
DOCUMENT NO.	3000ROTA		WEIGHT	59254.8 LB		COLOR	NONE

THE INFORMATION CONTAINED IN THIS DOCUMENT IS THE SOLE PROPERTY OF BOURGAULT INDUSTRIES LTD. USE SHALL BE LIMITED TO THE PURPOSES FOR WHICH THE INFORMATION HAS BEEN PROVIDED. ANY REPRODUCTION OR DISCLOSURE TO THIRD PARTIES, IN WHOLE OR PART, WITHOUT THE WRITTEN PERMISSION OF BOURGAULT INDUSTRIES LTD. IS PROHIBITED.