

1 2 3 4 5 6

A

A

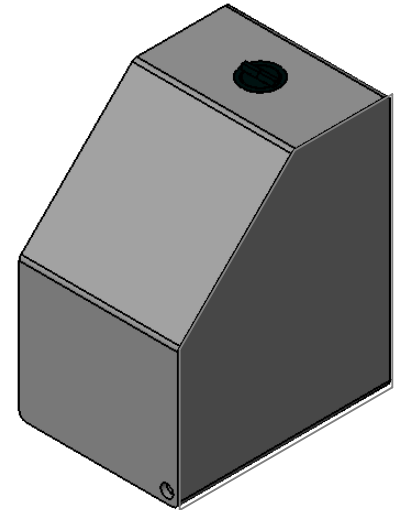
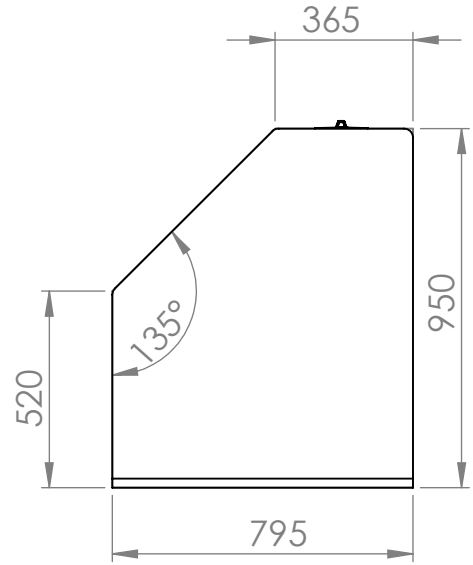
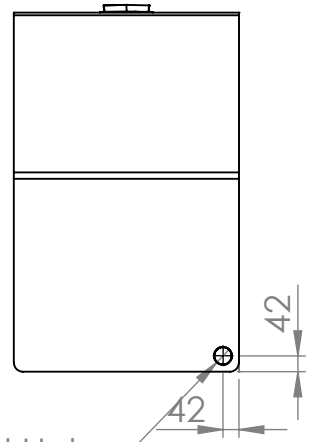
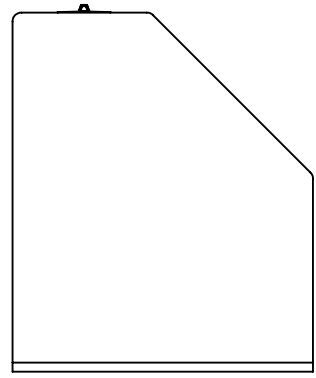
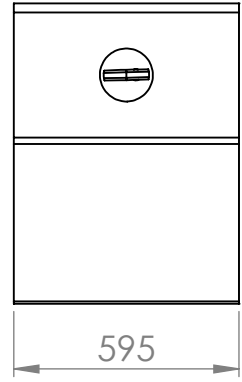
B

B

C

C

D



∅ 1-1/2 Rc Tapped Hole

Monday, 16 September 2013 8:16:39 AM

	NAME	SIGNATURE	DRAWN DATE	6/09/2013
DRAWN			REVISION	2
CHK'D			REVISION DATE	10/09/2013
APPV'D			Material	Material <not specified>
MFG			WEIGHT	26136.25 grams
Job #			RM Code	

<b>Rota Moulding</b> Ph 92501125 UNI360 Chaser Bin Tank		TITLE:
		DWG NO.
UNLESS OTHERWISE SPECIFIED: DIMENSIONS ARE IN MILLIMETERS		<b>A4</b>

1 2