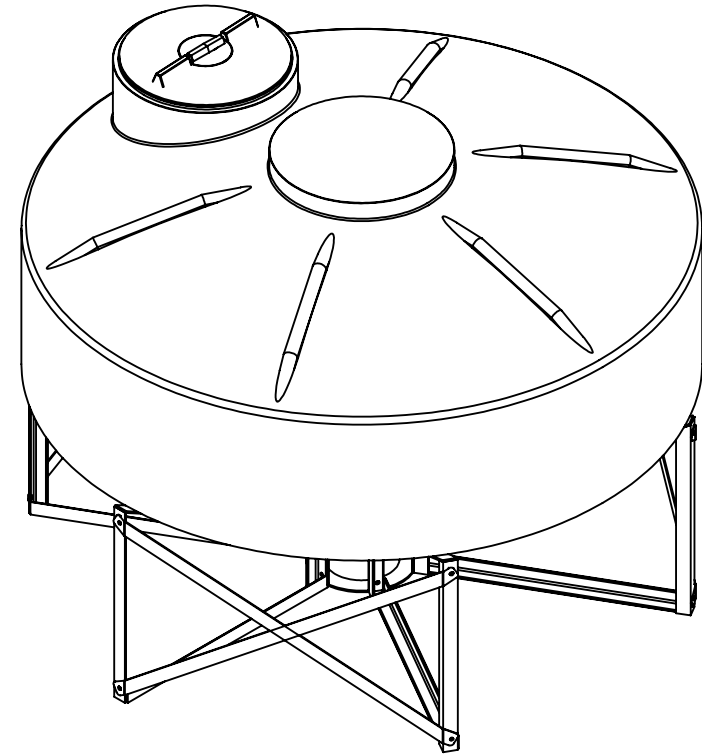
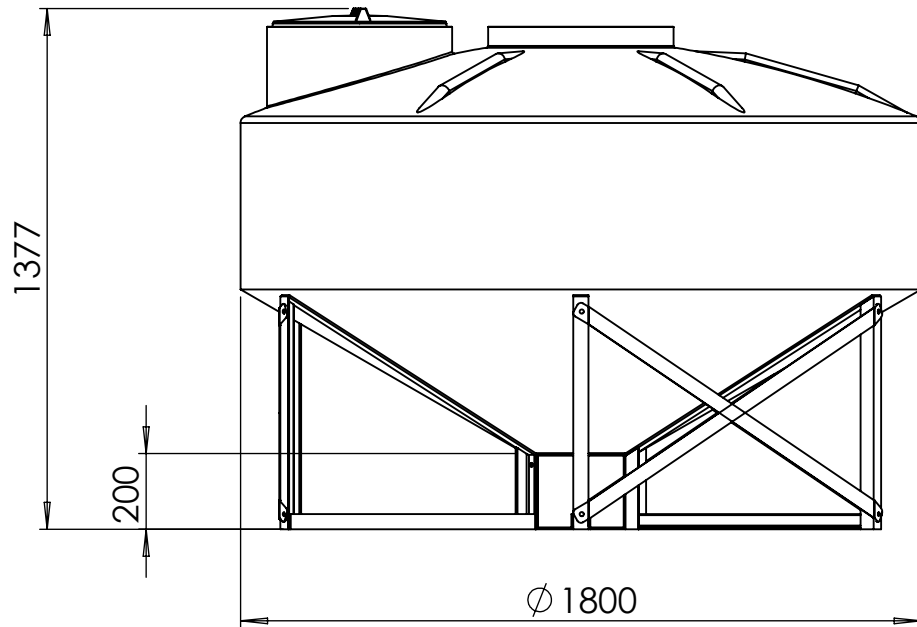


Friday, October 27, 2017 3:31:45 PM

	NAME	SIGNATURE	DRAWN DATE	09-Oct-17
DRAWN			REVISION	A
CHK'D	No		REVISION DATE	09-Oct-17
APPV'D			Material	LLDPE
MFG			WEIGHT	76.80 kg
Job #			RM Code	SP1500
There is a possibility of a + or -1% dimensional variation in rotational moulded Plastic products				
DEBUR AND BREAK SHARP EDGES				

Rota Moulding Ph 92501125 1500Ltr Cone Bottom Tank - SP1500CB		A4
UNLESS OTHERWISE SPECIFIED: DIMENSIONS ARE IN MILLIMETERS		
SCALE 1:20 DO NOT SCALE DRAWING		SHEET 1 OF 2



Friday, October 27, 2017 3:31:45 PM

	NAME	SIGNATURE	DRAWN DATE	09-Oct-17
DRAWN			REVISION	A
CHK'D	No		REVISION DATE	09-Oct-17
APPV'D			Material	LLDPE
MFG			WEIGHT	120.88 kg
Job #			RM Code	SP1500 Tank and SP2401CB

<p>Rota Moulding Ph 92501125 1500ltr Cone Bottom Tank - SP1500CB & SP2401CB Stand</p>		TITLE:
		DWG NO.
<p>UNLESS OTHERWISE SPECIFIED: DIMENSIONS ARE IN MILLIMETERS</p>		A4

There is a possibility of a + or -1% dimensional variation in rotational moulded Plastic products
 DEBUR AND BREAK SHARP EDGES
 SCALE 1:20 DO NOT SCALE DRAWING
 SHEET 2 OF 2