



**ROTA MOULDING WA PTY LTD**

Rotational Moulding Specialists

A.C.N. 100 922 736 A.B.N. 53 100 922 736

14 Artello Bay Road MIDVALE WA 6056

Ph: (08) 9250 1125 Fax: (08) 9274 3688

Web: www.rotamoulding.com.au

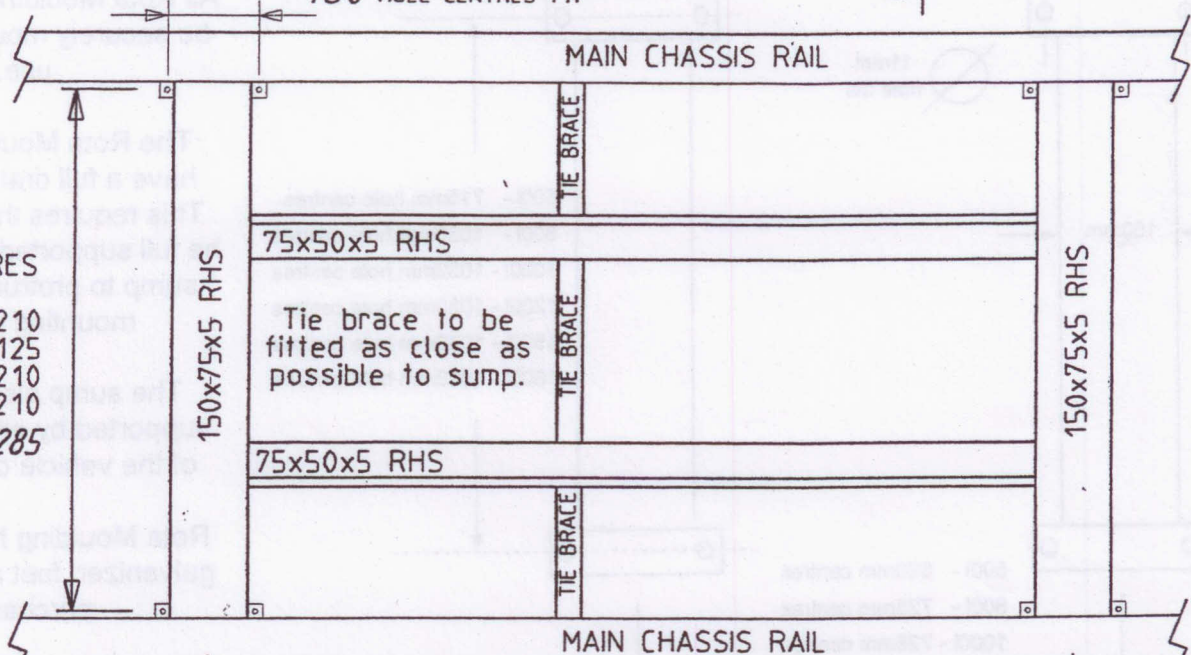
**TANK MOUNTING INSTRUCTIONS**

SP2000 SP2700 SP3000 *SP3800* *SP5000* A

180 HOLE CENTRES TYP

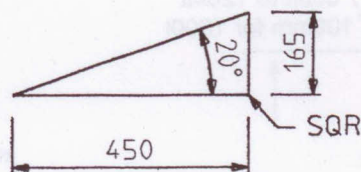
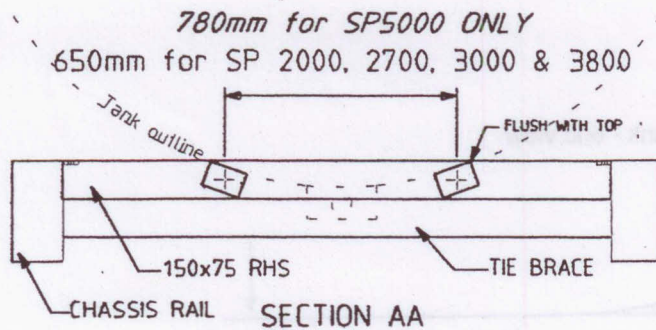
**HOLE CENTRES**

- SP2000 = 1210
- SP2700 = 1125
- SP3000 = 1210
- SP3800 = 1210
- SP5000 = 1285*

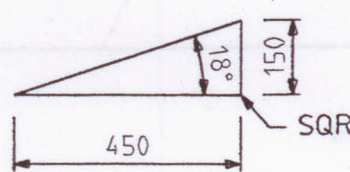


**BEAM CENTRES**

- SP2000 = 1395
- SP2700 = 1860
- SP3000 = 2180
- SP3800 = 2180
- SP5000 = 2180*



ANGLE for SP2000, 2700, 3000 & 3800



ANGLE FOR SP5000 ONLY





RM19:080201

## Tank Mounting Instructions for 500lt, 800lt, 1000lt, 1200lt and 1600lt

**Please note: The plastic feet that come with the tank are only for pre-mounting transport and are not suitable to support the tank when in use. The supplied pins are for bolting the tank down - Do not dispose of these.**

### Note:

All Rota Moulding tanks must be securely mounted before use.

The Rota Moulding tanks have a full draining sump. This requires the 2 ends to be full supported allowing the sump to protrude past the mounting points.

The sump also must be supported by either the tray of the vehicle or a bearer.

Rota Moulding have sets of galvanized feet available for purchase.

In some situations the tanks may be part of frame containing other equipment

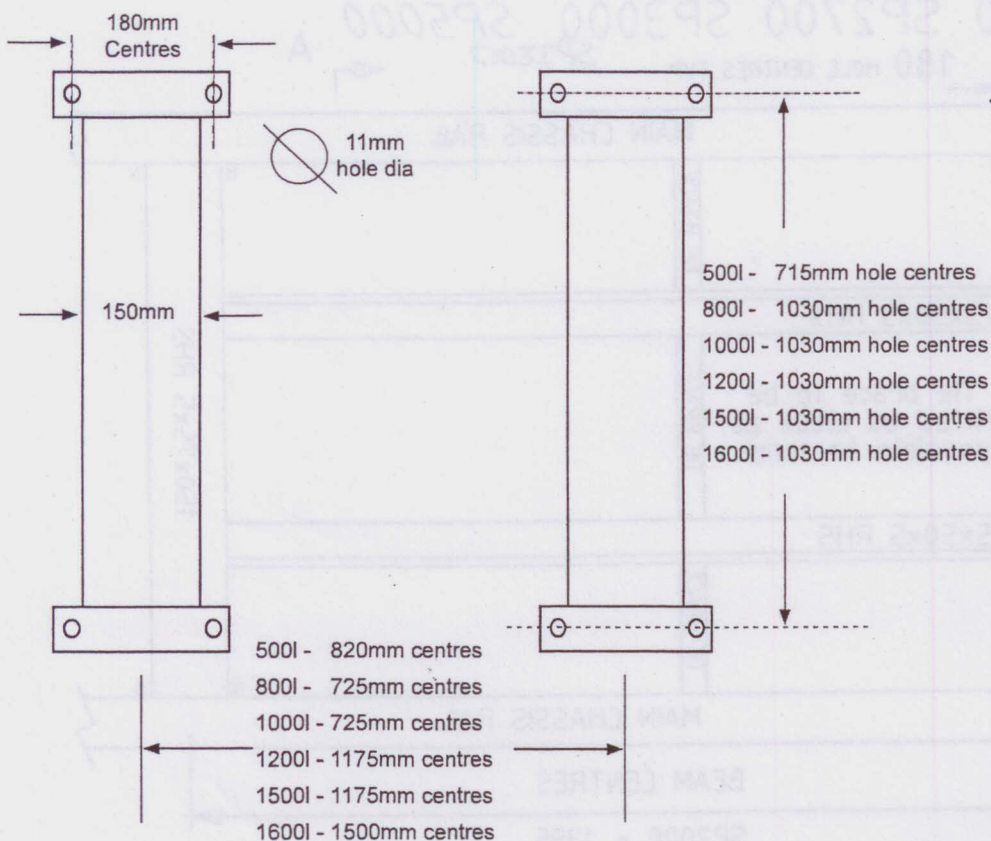
### PLEASE BE AWARE

Make sure hot exhausts point away from the tank

If bottom filling the tank, the lid must be completely removed.

Tanks natural in colour are food grade but are not suitable for drinking water

For more information  
Please contact  
Rota Moulding  
14 Artello Bay Rd  
Midvale WA 6056  
PH: 9250 1125  
[www.rotamoulding.com.au](http://www.rotamoulding.com.au)



**Please Note: tank dimensions may vary + or - 1%**

