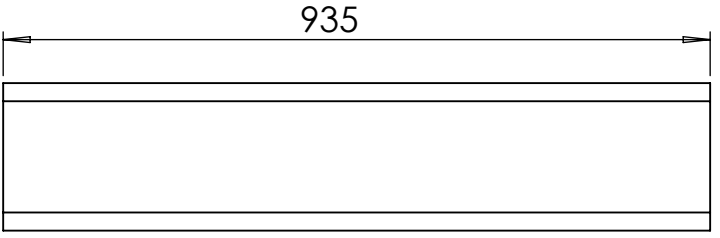
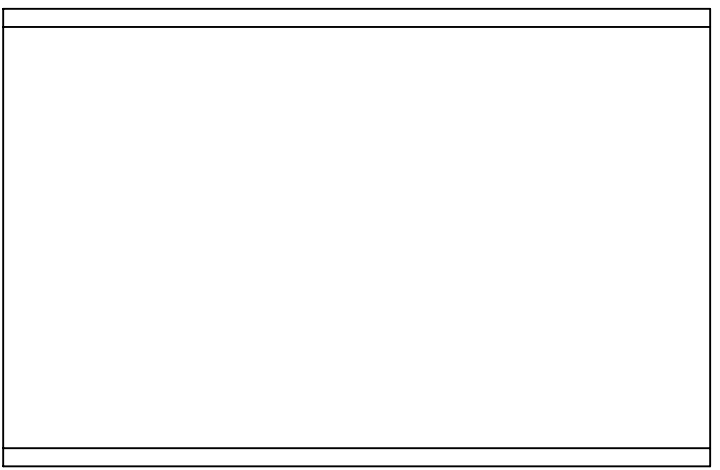


1 2 3 4 5 6

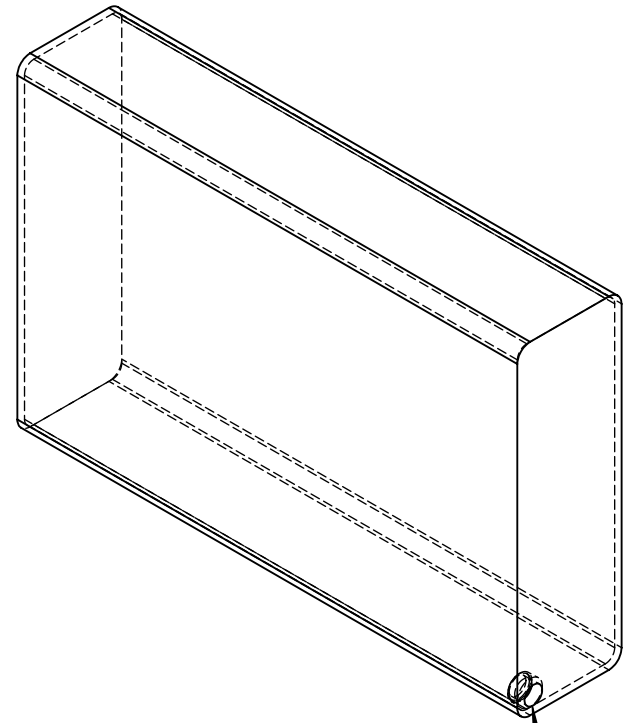
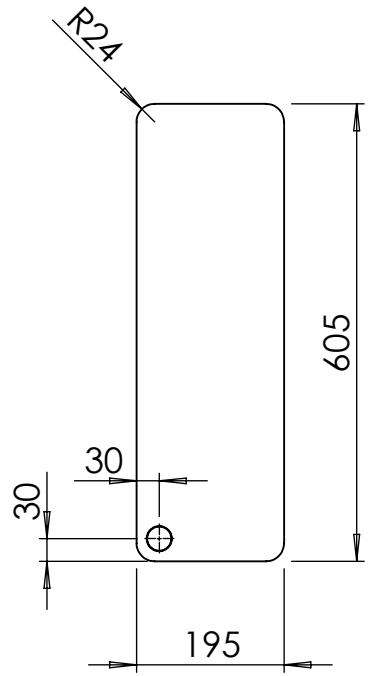
A



B



C



A

B

C

D

Tuesday, February 20, 2018 11:58:51 AM

1 2

	NAME	SIGNATURE	DRAWN DATE	23-Jan-18
DRAWN			REVISION	
CHK'D	Yes	AF	REVISION DATE	20-Feb-18
APPV'D			Material	PE Low/Medium Density
MFG			WEIGHT	10.00 kg
Job #			RM Code	UNI95SL
There is a possibility of a + or -1% dimensional variation in rotational moulded Plastic products				
DEBUR AND BREAK SHARP EDGES				

Rota Moulding Ph 92501125 95 ltr Universal Tank Slim Line -UNI95SL		TITLE:	A4
UNLESS OTHERWISE SPECIFIED: DIMENSIONS ARE IN MILLIMETERS		SCALE 1:10	SHEET 1 OF 1

25mm BSPT Female Thread