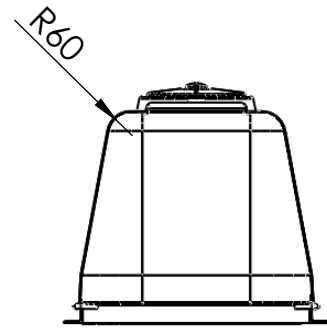
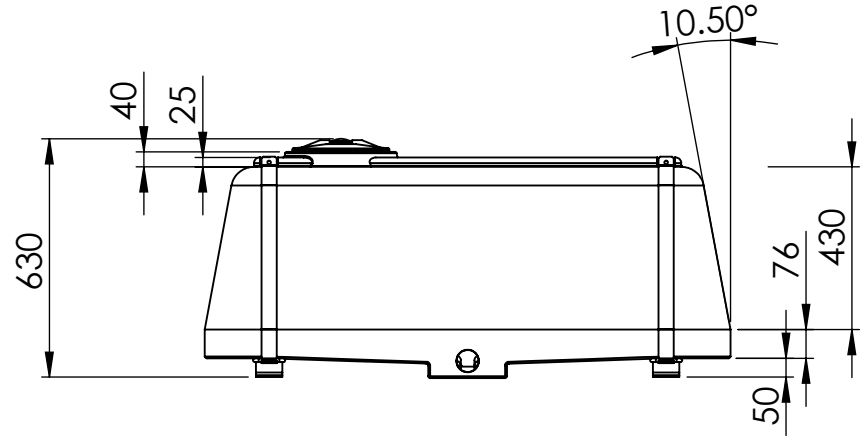
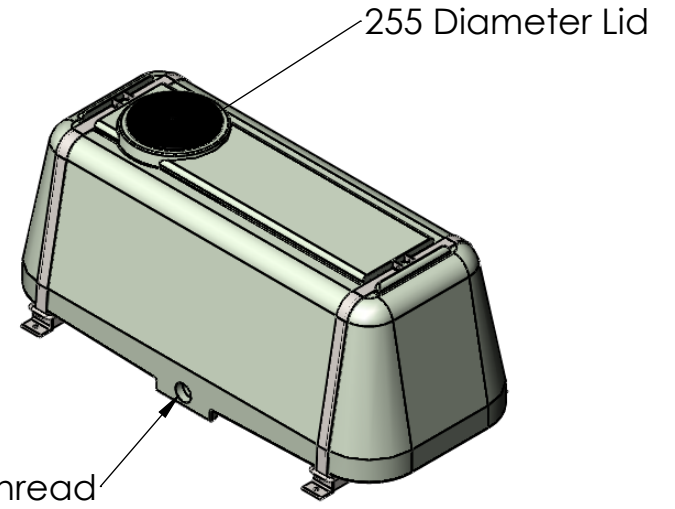
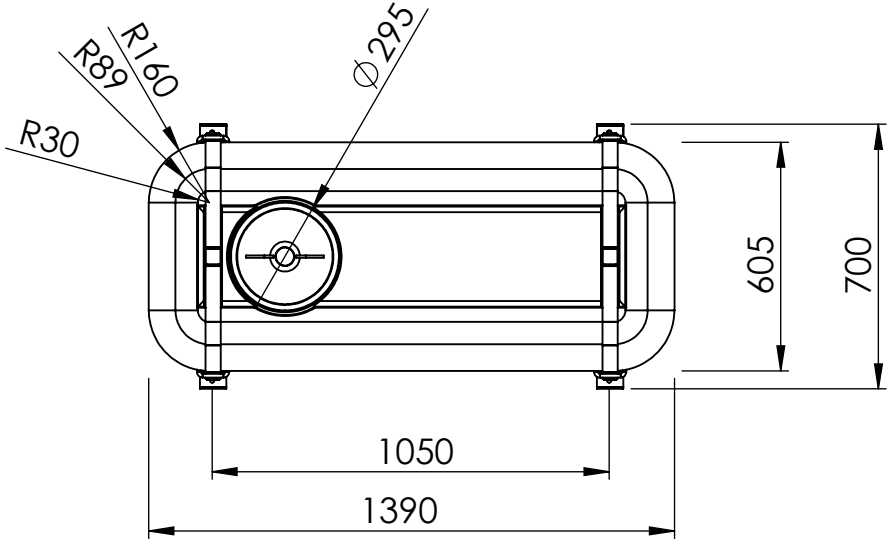


Tuesday, 8 July 2014 12:41:02 PM

	NAME	SIGNATURE	DRAWN DATE	4/07/2014
DRAWN			REVISION	A
CHK'D	Yes	AM	REVISION DATE	7/04/2014
APPV'D			Material	
MFG			WEIGHT	39612.74 grams
Job #			RM Code	

<p>Rota Moulding Ph 92501125 SP500C Assembly</p>		<p>TITLE:</p>
<p>UNLESS OTHERWISE SPECIFIED: DIMENSIONS ARE IN MILLIMETERS</p>		

A4



Tuesday, 8 July 2014 12:41:02 PM

	NAME	SIGNATURE	DRAWN DATE	4/07/2014
DRAWN			REVISION	A
CHK'D	Yes	AM	REVISION DATE	7/08/2014
APPV'D			Material	
MFG			WEIGHT	31847.93 grams
Job #			RM Code	
There is a possibility of a + or -1% dimensional variation in rotational moulded Plastic products				
DEBUR AND BREAK SHARP EDGES				

Rota Moulding Ph 92501 125 SP300 Assembly		TITLE:
		DWG NO.
UNLESS OTHERWISE SPECIFIED: DIMENSIONS ARE IN MILLIMETERS		A4
SCALE 1:20	DO NOT SCALE DRAWING	SHEET 2 OF 2