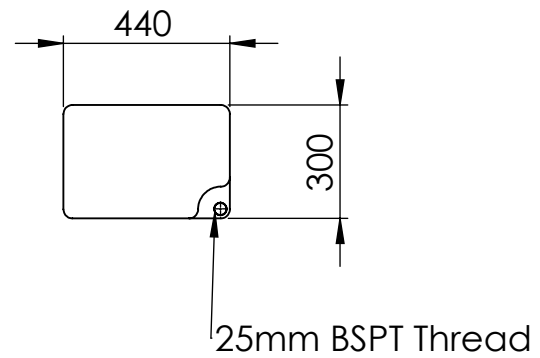
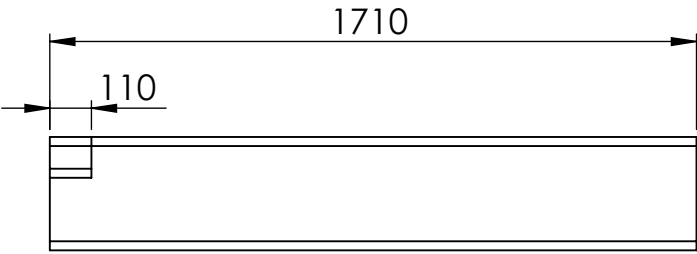
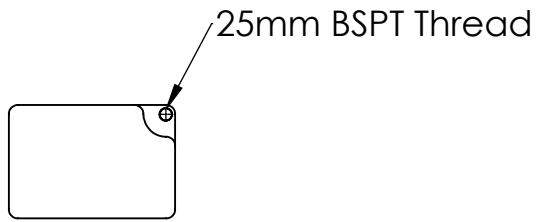


1 2 3 4 5 6

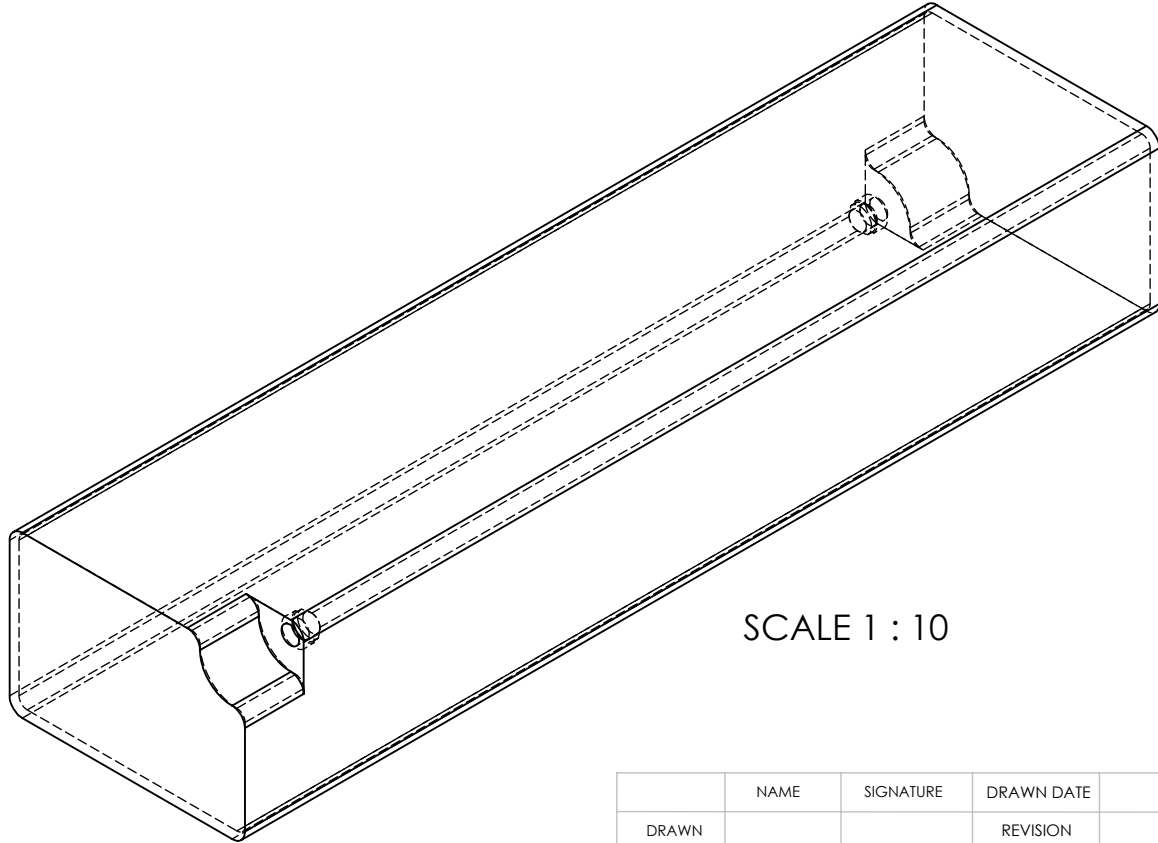
A

A



B

B



SCALE 1 : 10

C

C

D

D

	NAME	SIGNATURE	DRAWN DATE	06-Sep-11
DRAWN			REVISION	A
CHK'D	Yes	JM	REVISION DATE	24-Jan-18
APPV'D			Material	PE Low/Medium Density
MFG			WEIGHT	21 kg
Job #			RM Code	UNI200XL
			DEBUR AND BREAK SHARP EDGES	

Rota Moulding Ph 92501125 200 Ltr Universal Tank Extra Long		TITLE:
		DWG NO.
UNLESS OTHERWISE SPECIFIED: DIMENSIONS ARE IN MILLIMETERS		A4 SHEET 4 OF 4
SCALE 1:20	DO NOT SCALE DRAWING	

Wednesday, January 24, 2018 12:10:07 PM

1 2 There is a possibility of a + or -1% dimensional variation in rotational moulded Plastic products