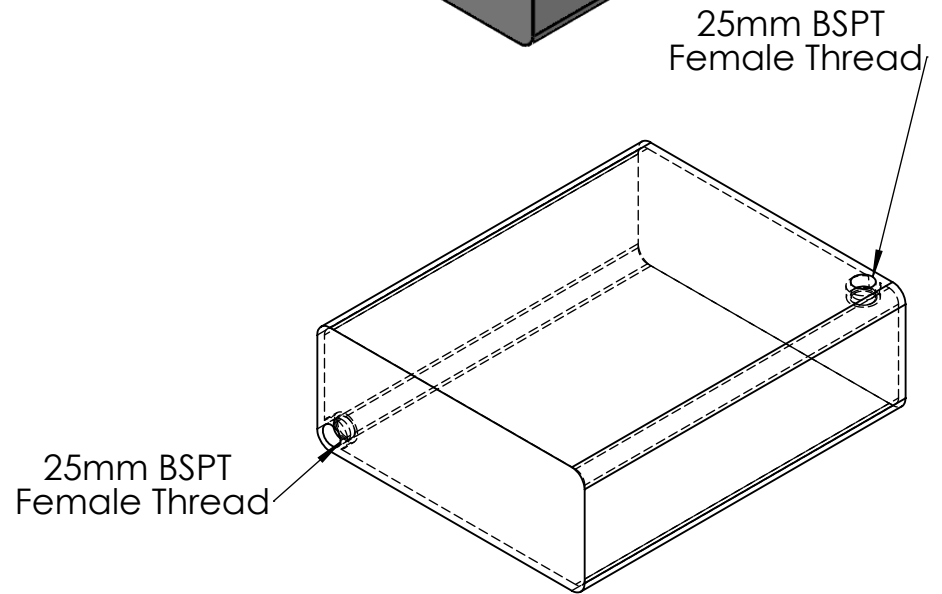
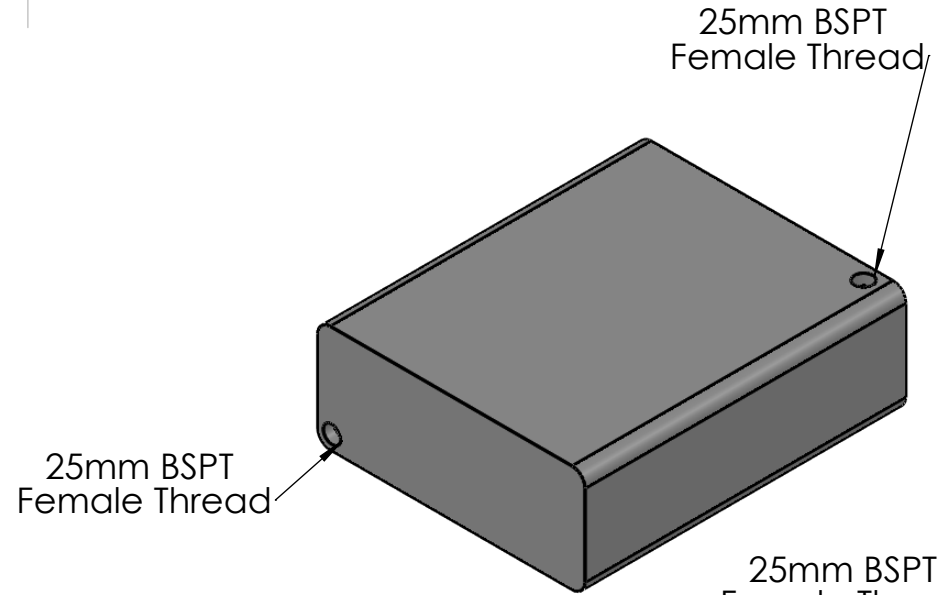
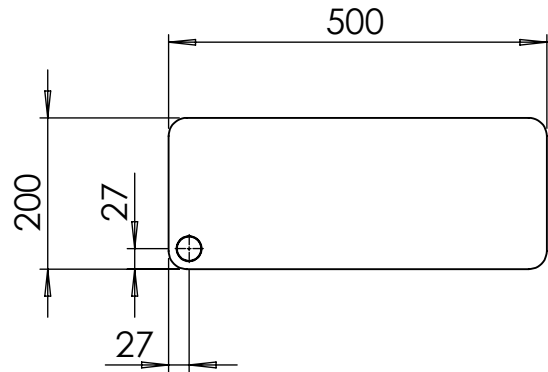
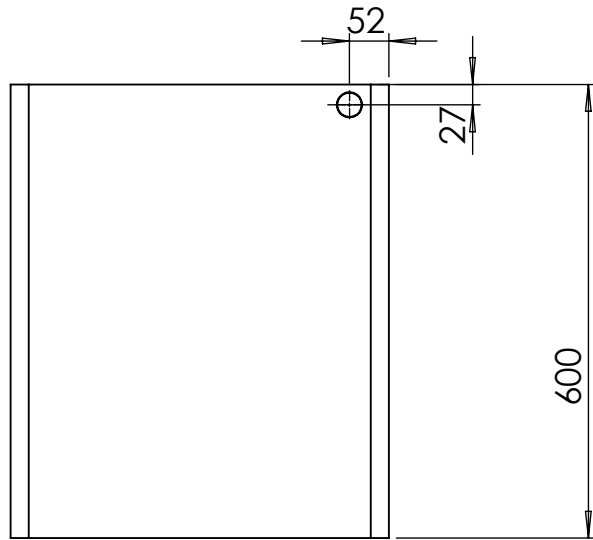


A

B

C

D



	NAME	SIGNATURE	DRAWN DATE	15-Aug-17
DRAWN			REVISION	
CHK'D	Yes	AF	REVISION DATE	15-Aug-17
APPV'D			Material	PE Low/Medium Density
MFG			WEIGHT	6.00 kg
Job #			RM Code	UNI50
There is a possibility of a + or -1% dimensional variation in rotational moulded Plastic products				
DEBUR AND BREAK SHARP EDGES				

Rota Moulding Ph 92501125  
50ltr Universla Tank - UNI50

TITLE:  
DWG NO.  
UNLESS OTHERWISE SPECIFIED: DIMENSIONS ARE IN MILLIMETERS  
SCALE 1:10 DO NOT SCALE DRAWING  
SHEET 1 OF 1

A4