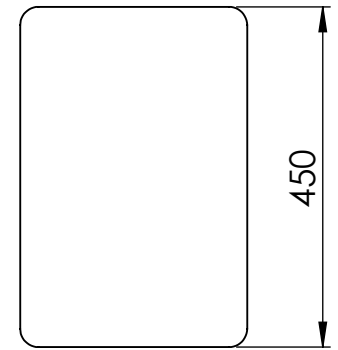
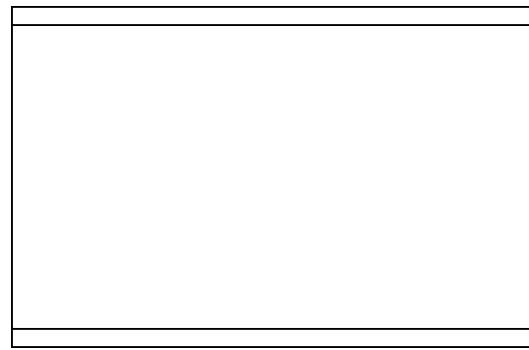
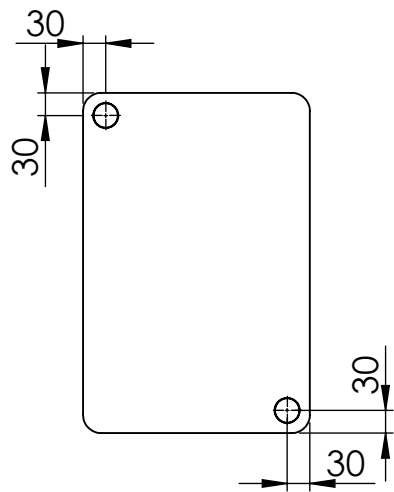
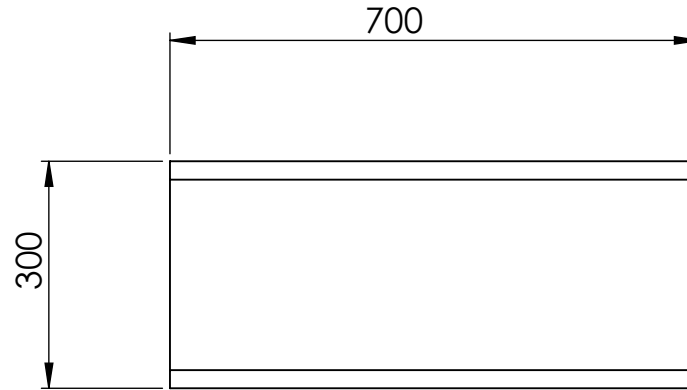


25mm BSPT
Female Thread



Tuesday, January 22, 2019 9:04:17 AM

	NAME	SIGNATURE	DRAWN DATE	06-Sep-11
DRAWN			REVISION	
CHK'D	Yes	JM	REVISION DATE	12-Nov-14
APPV'D			Material	PE Low/Medium Density
MFG			WEIGHT	8.01 kg
Job #			RM Code	UNI83

Rota Moulding Ph 92501125 83ltr Universal Tank - UNI83		TITLE:	A4
There is a possibility of a + or -1% dimensional variation in rotational moulded Plastic products		UNLESS OTHERWISE SPECIFIED: DIMENSIONS ARE IN MILLIMETERS	
DEBUR AND BREAK SHARP EDGES		SCALE 1:10 DO NOT SCALE DRAWING	SHEET 2 OF 2