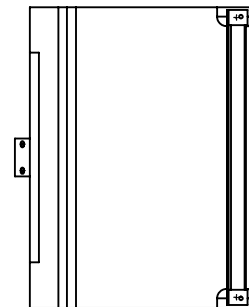
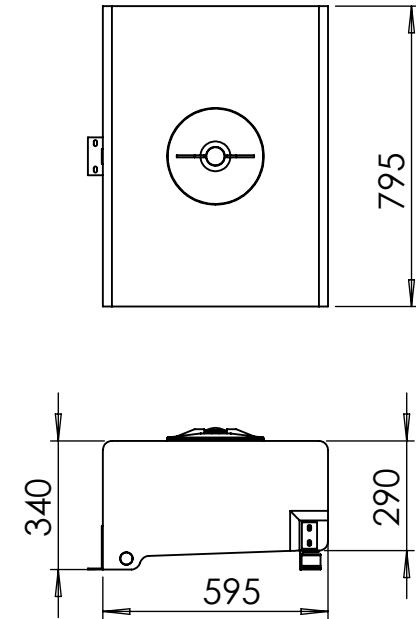
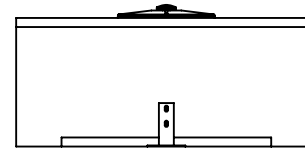
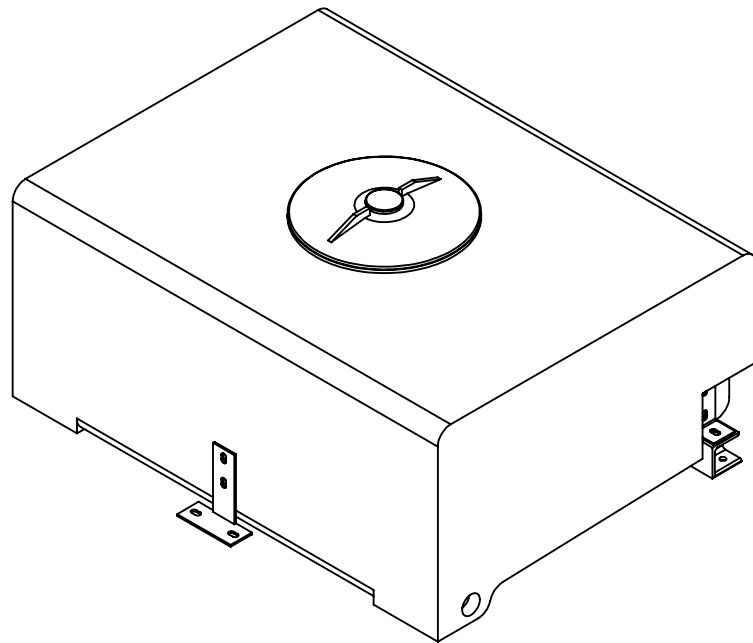


Thursday, September 29, 2016 3:02:36 PM

	NAME	SIGNATURE	DRAWN DATE	06-Sep-11	Rota Moulding Ph 92501125 UNI250 Sump Tank	
DRAWN			REVISION			
CHK'D	No		REVISION DATE		TITLE:	
APPV'D			Material	PE Low/Medium Density	DWG NO.	
MFG			WEIGHT	12443.33 kg	UNLESS OTHERWISE SPECIFIED: DIMENSIONS ARE IN MILLIMETERS	
Job #			RM Code	UNI120Sump Tank		
There is a possibility of a + or -1% dimensional variation in rotational moulded Plastic products			DEBUR AND BREAK SHARP EDGES		SCALE 1:20 DO NOT SCALE DRAWING	A4
					SHEET 1 OF 7	



	NAME	SIGNATURE	DRAWN DATE	22-Aug-16
DRAWN			REVISION	
CHK'D	No		REVISION DATE	
APPV'D			Material	
MFG			WEIGHT	16421.39 kg
Job #			RM Code	Default
There is a possibility of a + or -1% dimensional variation in rotational moulded Plastic products				
DEBUR AND BREAK SHARP EDGES				

Rota Moulding Ph 92501125 UNI120 Sumped Tank		A4
DWG NO.		UNLESS OTHERWISE SPECIFIED: DIMENSIONS ARE IN MILLIMETERS
SCALE 1:20 DO NOT SCALE DRAWING		
SHEET 2 OF 7		

Thursday, September 29, 2016 3:02:36 PM